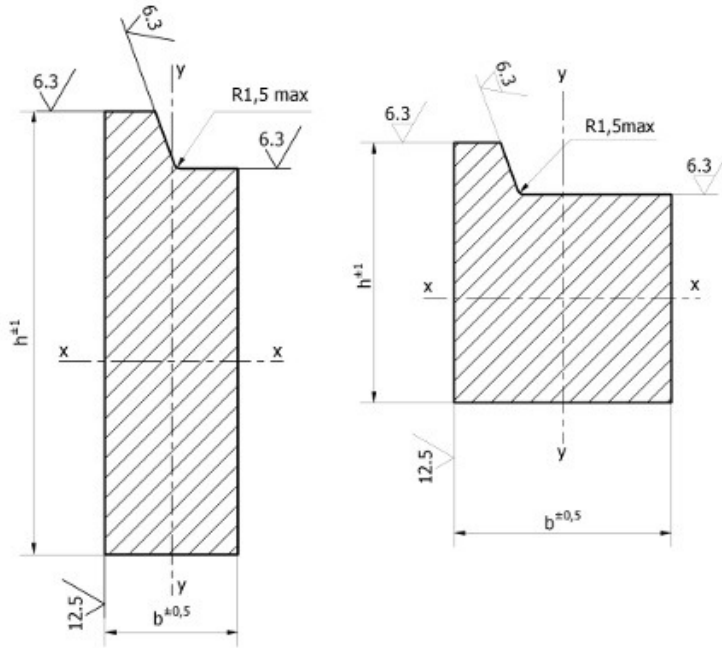


# STEEL CARRIAGE SECTIONS



| MATERIAL |          |
|----------|----------|
| UNI      | Fe 510.C |
| DIN      | St 52-3  |
| W Nr.    | 1.0553   |
| EN 10025 | S355J0   |

|  | Size    |         | Weight<br>Kg/m | Modules<br>of resistance |                                   | Section<br>Ref.(1) | Class F.E.M.<br>DIN 15173 | Size of the gear<br>tolerance in DIN 7168 |                                   |
|--|---------|---------|----------------|--------------------------|-----------------------------------|--------------------|---------------------------|---|-----------------------------------|
|  | TYPE    | h<br>mm |                | b<br>mm                  | W <sub>x</sub><br>cm <sup>2</sup> |                    |                           |   | W <sub>y</sub><br>cm <sup>2</sup> |
|  | PPF.001 | 100     | 30             | 22,0                     | 38                                | 13                 | 3285                      | I   |                                   |
|  | PPF.002 | 127     | 26             | 24,8                     | 58                                | 13                 | 2809                      | I   |                                   |
|  | PPF.003 | 127     | 32             | 30,2                     | 68                                | 20                 | 2942                      | I   |                                   |
|  | PPF.004 | 150     | 30             | 33,9                     | 93                                | 21                 | 2783                      | I   |                                   |
|  | PPF.501 | 60      | 39             | 15,6                     | 16                                | 13                 | 3401                      | I   |                                   |
|  | PPF.005 | 110     | 32             | 25,9                     | 50                                | 17                 | 3283                      | II  |                                   |
|  | PPF.006 | 110     | 38             | 30,5                     | 57                                | 24                 | 3284                      | II  |                                   |
|  | PPF.007 | 150     | 35             | 39,1                     | 107                               | 28                 | 2807                      | II  |                                   |
|  | PPF.008 | 150     | 38             | 42,5                     | 114                               | 34                 | 2805                      | II  |                                   |
|  | PPF.009 | 152     | 32             | 36,2                     | 102                               | 24                 | 2806                      | II  |                                   |
|  | PPF.502 | 60      | 50             | 20                       | 20                                | 22                 | 3402                      | II  |                                   |
|  | PPF.010 | 115     | 40             | 33,4                     | 67                                | 27                 | 3298                      | III                                       |                                   |
|  | PPF.011 | 148     | 40             | 43,8                     | 117                               | 36                 | 3286                      | III                                       |                                   |
|  | PPF.012 | 148     | 45             | 48,9                     | 129                               | 46                 | 3287                      | III                                       |                                   |
|  | PPF.013 | 180     | 38             | 51,3                     | 172                               | 40                 | 2808                      | III                                       |                                   |
|  | PPF.014 | 180     | 45             | 60,1                     | 198                               | 56                 | 2784                      | III                                       |                                   |
|  | PPF.503 | 70      | 50             | 23,6                     | 29                                | 26                 | 3403                      | III                                       |                                   |
|  | PPF.504 | 90      | 60             | 37,4                     | 59                                | 49                 | 3472                      | III                                       |                                   |
|  |         |         |                |                          |                                   |                    |                           |   |                                   |
|  | PPF.015 | 180     | 57             | 75,2                     | 240                               | 89                 | 2785                      | IV  |                                   |
|  | PPF.505 | 100     | 70             | 48                       | 83                                | 73                 | 3473                      | IV  |                                   |
|  |         |         |                |                          |                                   |                    |                           |   |                                   |
|  |         |         |                |                          |                                   |                    |                           |   |                                   |
|  |         |         |                |                          |                                   |                    |                           |   |                                   |
|  |         |         |                |                          |                                   |                    |                           |   |                                   |
|  |         |         |                |                          |                                   |                    |                           |   |                                   |

(1) Hot Rolled identification codes